

## 2 DC LVL 5-6 18's – Vented

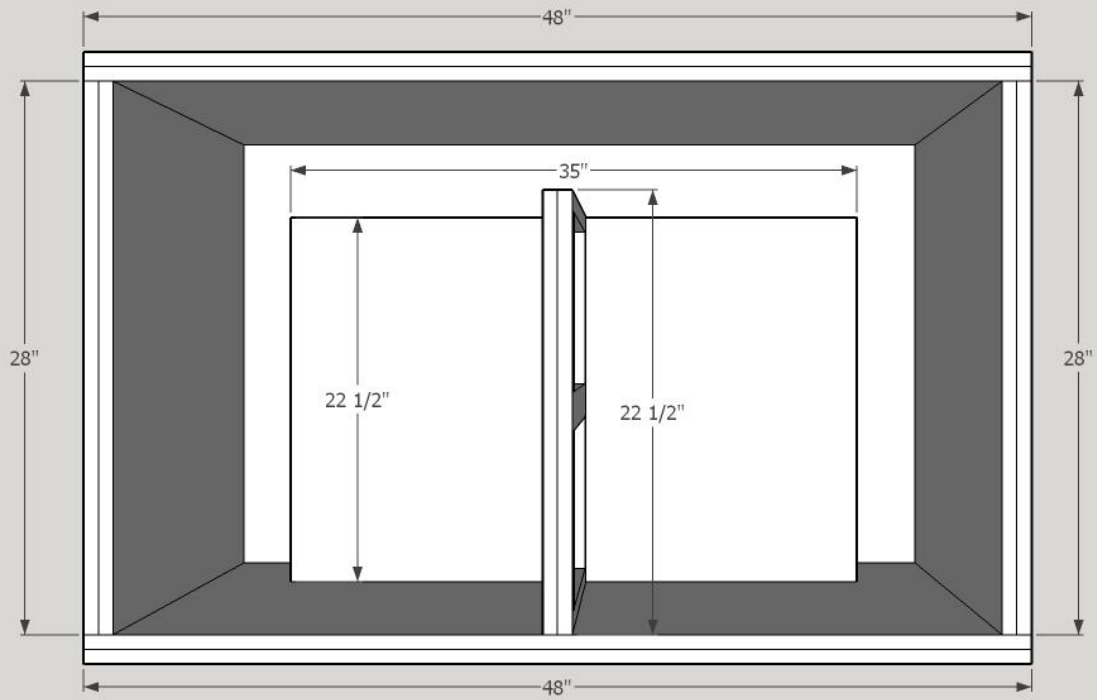
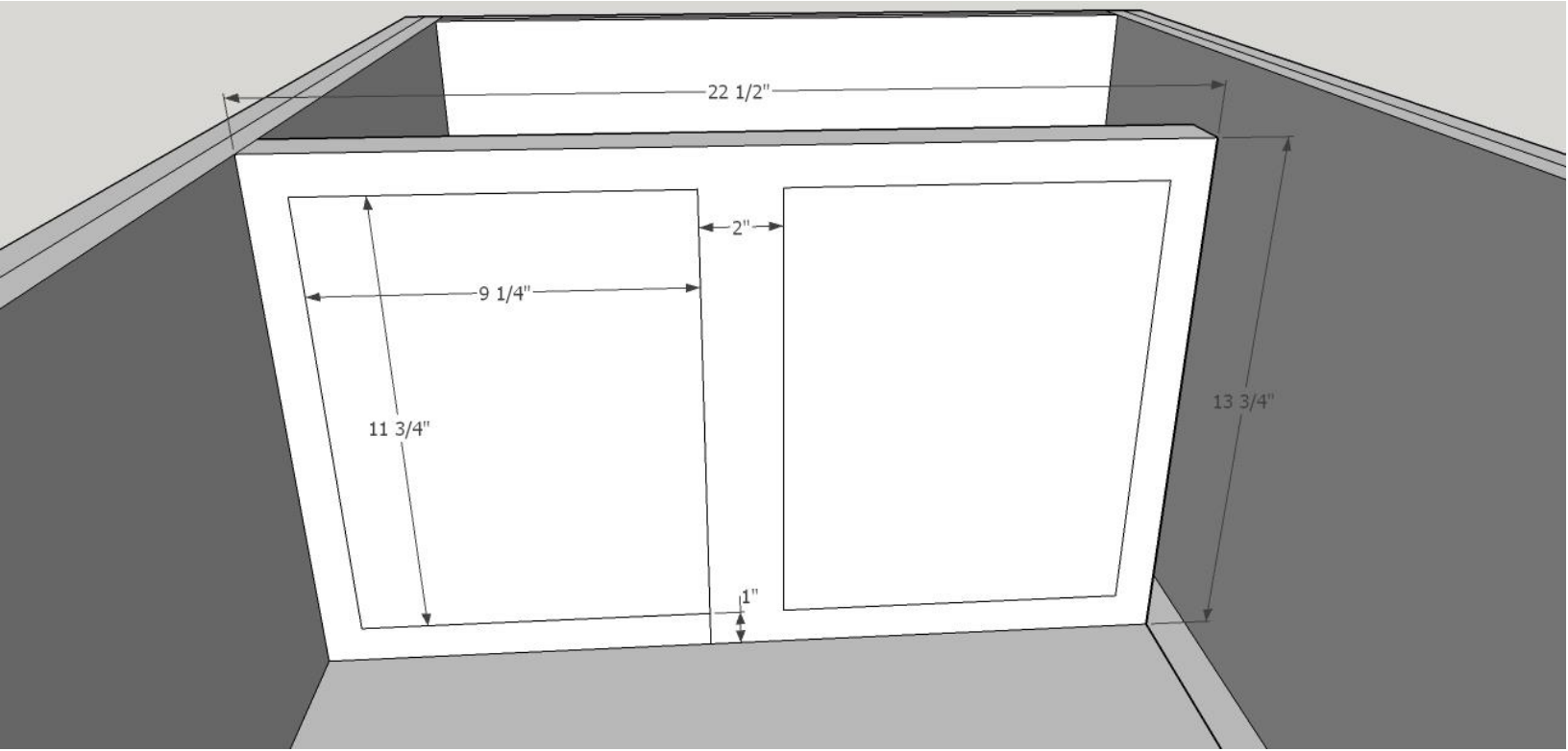
Dimensions: 24h/48w/31d

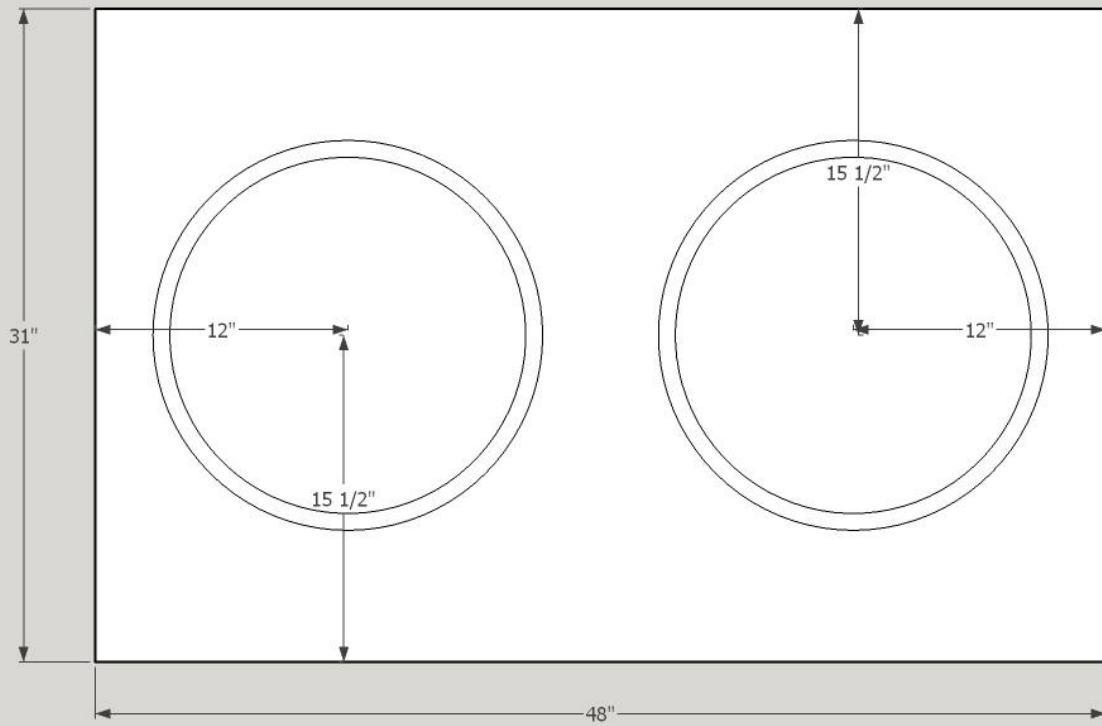
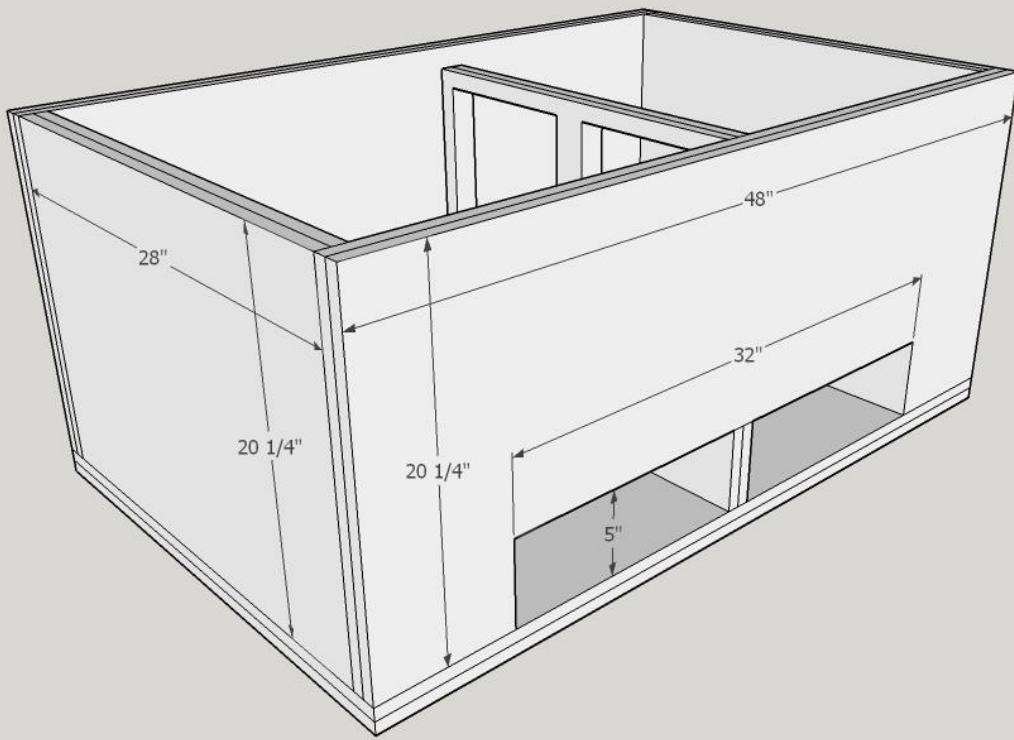
Volume: 11.1ft<sup>3</sup>

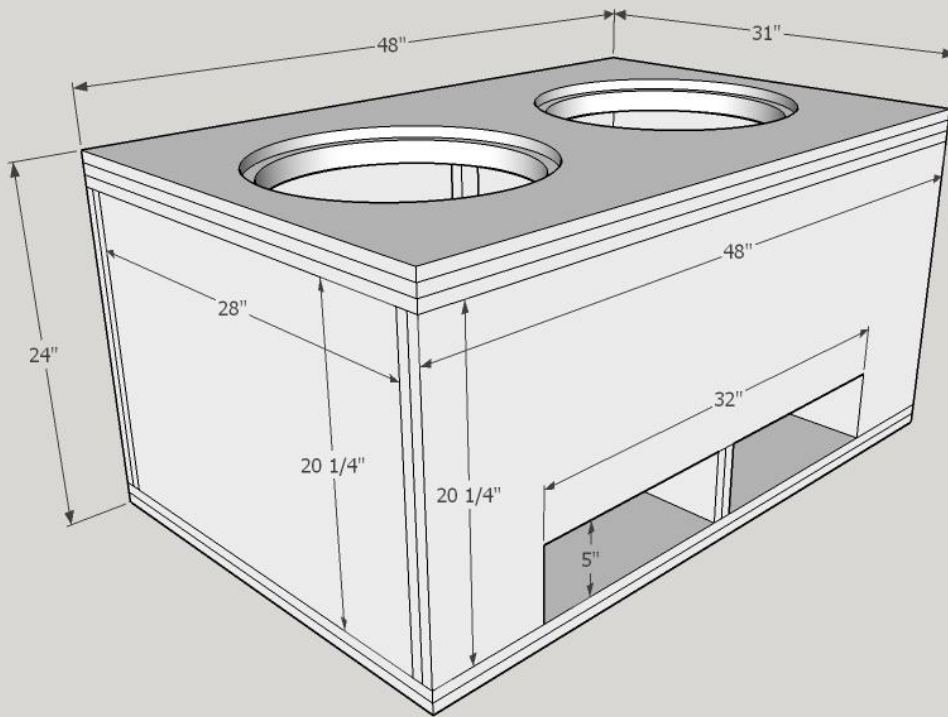
Port: 31.8hz (152.5in<sup>2</sup>)

Speaker Cutout: 16.9"









## Cut List

### Top/Bottom

48" x 31" (x5) – 3 top 2 bottom

### Rear/Front

48" x 20 1/4" (x4)

### Sides

28" x 20 1/4" (x4)

### Port

5" x 22 1/2" (x4)

35" x 22 1/2" (x2)

### Bracing

5" x 24" (x2) – Port divider brace

22 1/2" x 13 3/4" (x2) – Window brace

\*Should be done with 3/4" material, MDF or birch.

*Dustin Bechtel, Elite Enclosure Designs.*